

# 4" GLYCERIN FILLED GAUGE BRASS BOURDON TUBE AND SOCKET MODEL 401C4

## STANDARD FEATURES

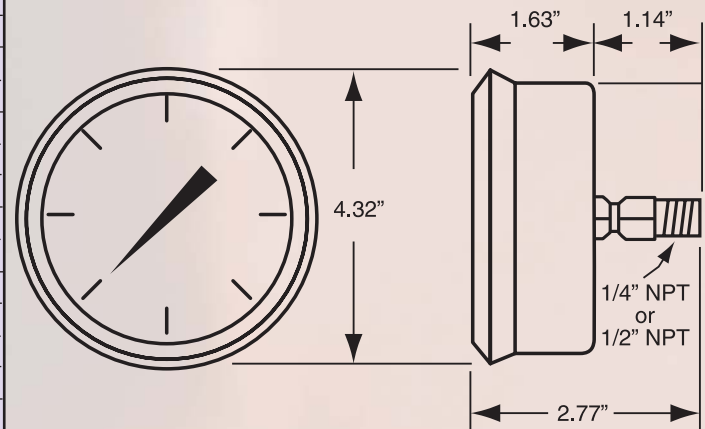
- 4" dial size (100mm)
- Brass bourdon tube and socket
- Brass movement
- Glycerin filled
- Corrosion resistant stainless steel case and ring
- 1% full scale accuracy per ASME B40.1 Grade 1A
- 1/4" NPT center back connection
- White scale with black graduations and numerals  
Metric readings in blue
- Suitable for water, air, oil, gas or any medium  
not corrosive to copper alloys
- Siphon required for steam applications

## STANDARD RANGES

RANGE	CODE	FIGURES	GRADUATIONS
30"/0" VAC	P2	5 HG	0.5" HG
30"/0/15	P3	10" HG/5 PSI	1" HG/0.5 PSI
30"/0/30	P4	10" HG/10 PSI	1" HG/1 PSI
30"/0/60	P5	10" HG/10 PSI	2" HG/1 PSI
30"/0/100	P6	30" HG/20 PSI	5" HG/2 PSI
30"/0/150	P7	30" HG/20 PSI	5" HG/2 PSI
30"/0/300	P8	30" HG/50 PSI	5" HG/10 PSI
0/15 PSI	PA	2 PSI	0.2 PSI
0/30 PSI	PB	5 PSI	0.5 PSI
0/60 PSI	PC	10 PSI	1 PSI
0/100 PSI	PD	20 PSI	2 PSI
0/160 PSI	PE	20 PSI	2 PSI
0/200 PSI	PF	40 PSI	4 PSI
0/300 PSI	PG	50 PSI	5 PSI
0/400 PSI	PH	50 PSI	5 PSI
0/600 PSI	PI	100 PSI	10 PSI
0/800 PSI	PJ	100 PSI	10 PSI
0/1000 PSI	PK	200 PSI	20 PSI
0/1500 PSI	PL	200 PSI	20 PSI
0/2000 PSI	PM	400 PSI	50 PSI
0/3000 PSI	PN	500 PSI	50 PSI
0/5000 PSI	PO	1000 PSI	100 PSI
0/6000 PSI	PX	2000 PSI	200 PSI
0/10,000 PSI	PP	2000 PSI	200 PSI
0/15,000 PSI	PR	2000 PSI	200 PSI



**MODEL 401C**



*The Glycerin filling in liquid filled gauges helps dampen the effects of pulsation and vibration. While also perpetually lubricating the movement and keeping contaminants away, the liquid extends the life of the gauge.*

### HOW TO ORDER - PLEASE SPECIFY THE FOLLOWING:

MODEL #	CONNECTION SIZE	RANGE
<b>401C</b>	<b>4 = 1/4" NPT</b>	<b>2 digit code</b> from table